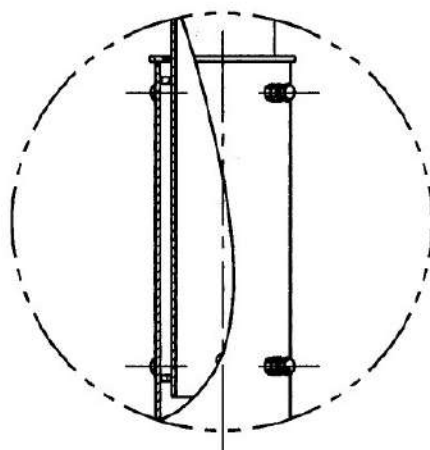
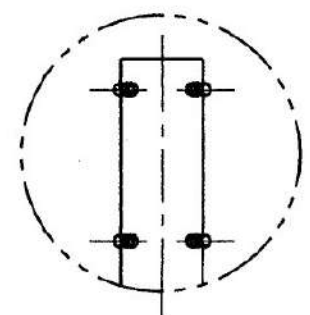


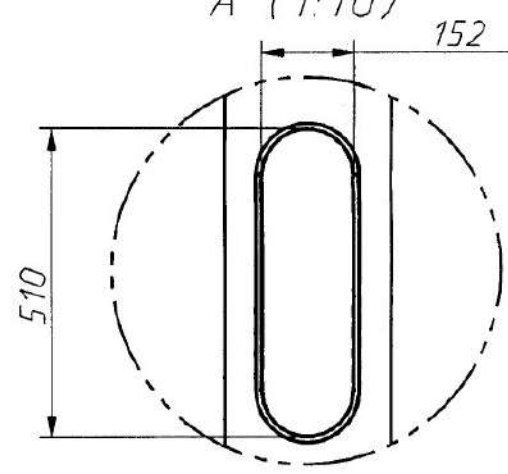
*C (1:10)*



*B (1:10)*



*A (1:10)*



*D-D (1:10)*

